

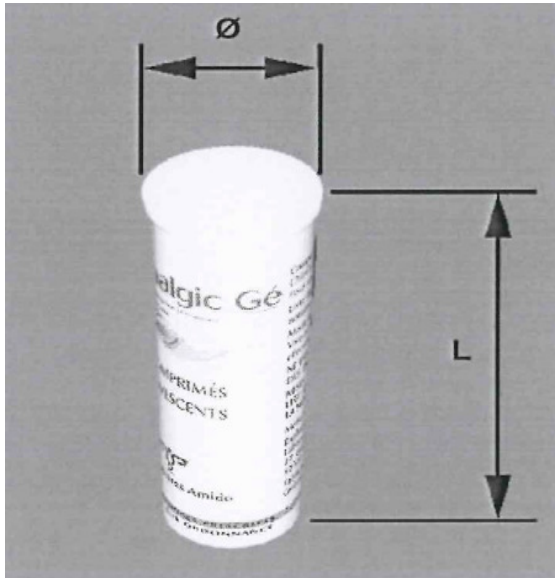
**Cartoning machine Promatic P 91**  
**Code No.: CAR025.0.2**



Consists of: Horizontal folding device for carton with alternating operation and feeding device for tubes

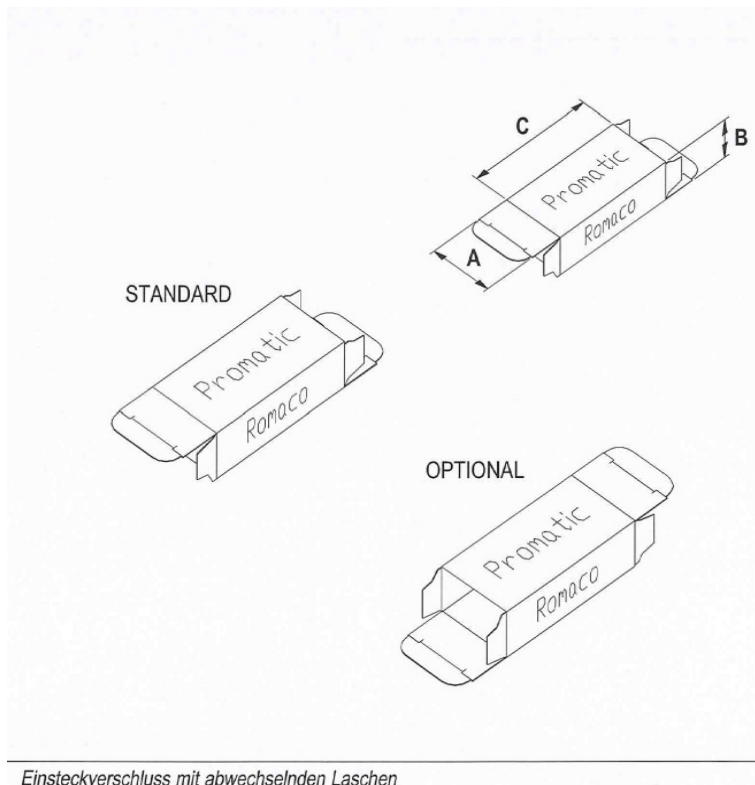
<b>Technical data</b>		
Producer	ROMACO	
Country	Italien	
Type	Promatic P 91	
Year of manufacture	2007	
Carton folding machine with alternating operation:		
Operation: elektrical, mechanical, pneumatical		
Mechanical speed	90	Car/min
Air pressure:	6	bar
Power consumption	3,5	kW
Air consumption:	70	NL/min
Weight:	1500	kg
Size range:		
A, min. - max.	15 - 120	mm
B, min. - max.	12 - 80	mm
C, min - max.	55 - 200	mm
Dimensions (L x D x H).	3180 x 1740 x 1500	mm
Accessory: GUK Folding automat, FS Code reader		
PP Code reader		
Feeding unit for tubes:		

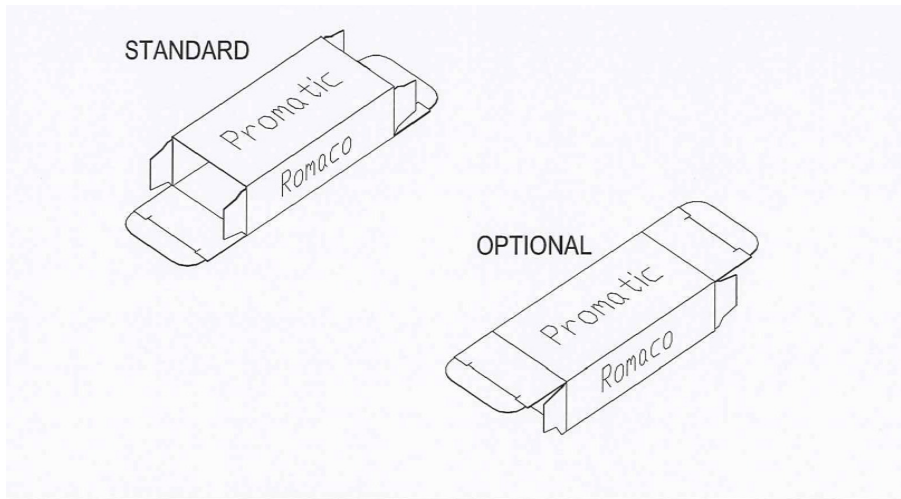
Operation: elektrikal, mechanical, pneumatical		
Production speed:	80	Tub/min
Mechan.speed:	100	cycles/min
Weight:	400	kg
Size of tubes:		
Min. size: $\varnothing$ ( $\pm 0.5$ mm)	22	mm
L ( $\pm 1$ mm)	70	mm
Max.size $\varnothing$ ( $\pm 0.5$ mm):	42	mm
L ( $\pm 1$ mm)	180	mm



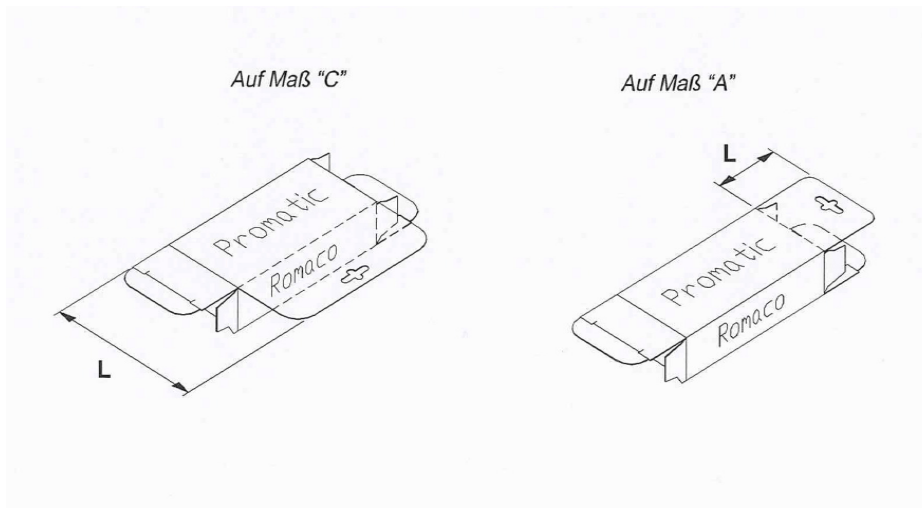
**Description:** The cartoning machine can pack the product using different types of box closing

- Tuck in with alternating flaps
- Tuck in with the same flaps
- Tuck in with +5° flap
- Hot melt

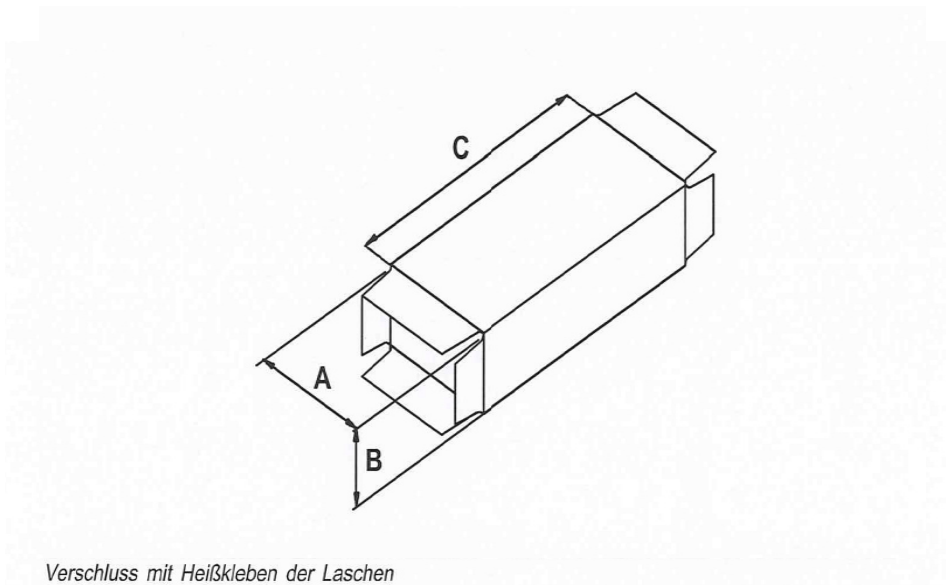




Einsteckverschluss mit gleichen Laschen



Einsteckverschluss mit +5° Lasche



Verschluss mit Heißkleben der Laschen